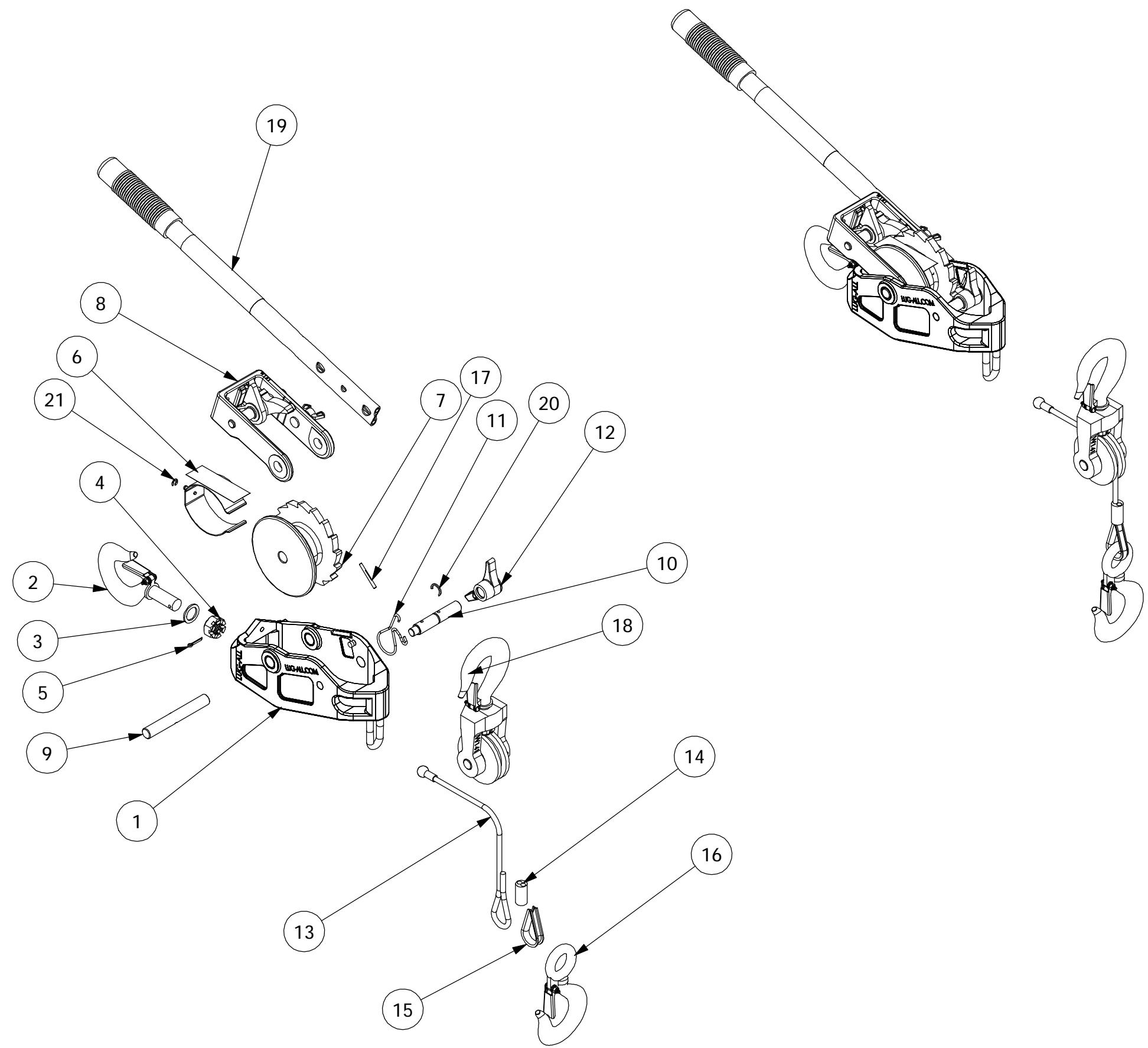


THE INFORMATION CONTAINED IN THIS DRAWING IS THE SOLE PROPERTY OF LUG-ALL CORPORATION. ANY REPRODUCTION IN PART OR AS A WHOLE WITHOUT THE WRITTEN PERMISSION OF LUG-ALL CORPORATION IS PROHIBITED.

D  
C  
B  
A



ITEM	PART NO.	DESCRIPTION
1	160	MAIN FRAME W/BUSHINGS
2	138-BLACK	SHANK HOOK W/LATCH
3	118	HOOK WASHER
4	122	HOOK NUT
5	406	COTTER PIN
6	115	CABLE SHIELD ASSY.
7	261	DRUM
8	851	U-FRAME ASSY.
9	129	DRUM SHAFT
10	127	MAIN FRAME PAWL SHAFT
11	131	MAIN FRAME PAWL SPRING
12	113	MAIN FRAME PAWL
13	136	CABLE & DRUM ANCHOR
14	125	SLEEVE TYPE CABLE CLAMP
15	139	THIMBLE
16	137-BLACK	EYE TYPE HOOK
17	134	DRUM SHAFT LOCKING PIN
18	803-BLACK	PULLEY BLOCK ASSY.
19	117	REVERSIBLE HANDLE
20	111	SNAP SHAFT WASHER
21	162	RETAINING RING

**LUG-ALL CORPORATION**  
650 LINCOLN RD., BRIDSBORO, PA 19508

**SMALL FRAME  
WIRE ROPE  
2250-15  
ASSEMBLY**

SIZE <b>B</b>	DWG. NO. 2250-15	REV. <b>B</b>
CAD FILE: 2250-15	SHEET 1 OF 1	