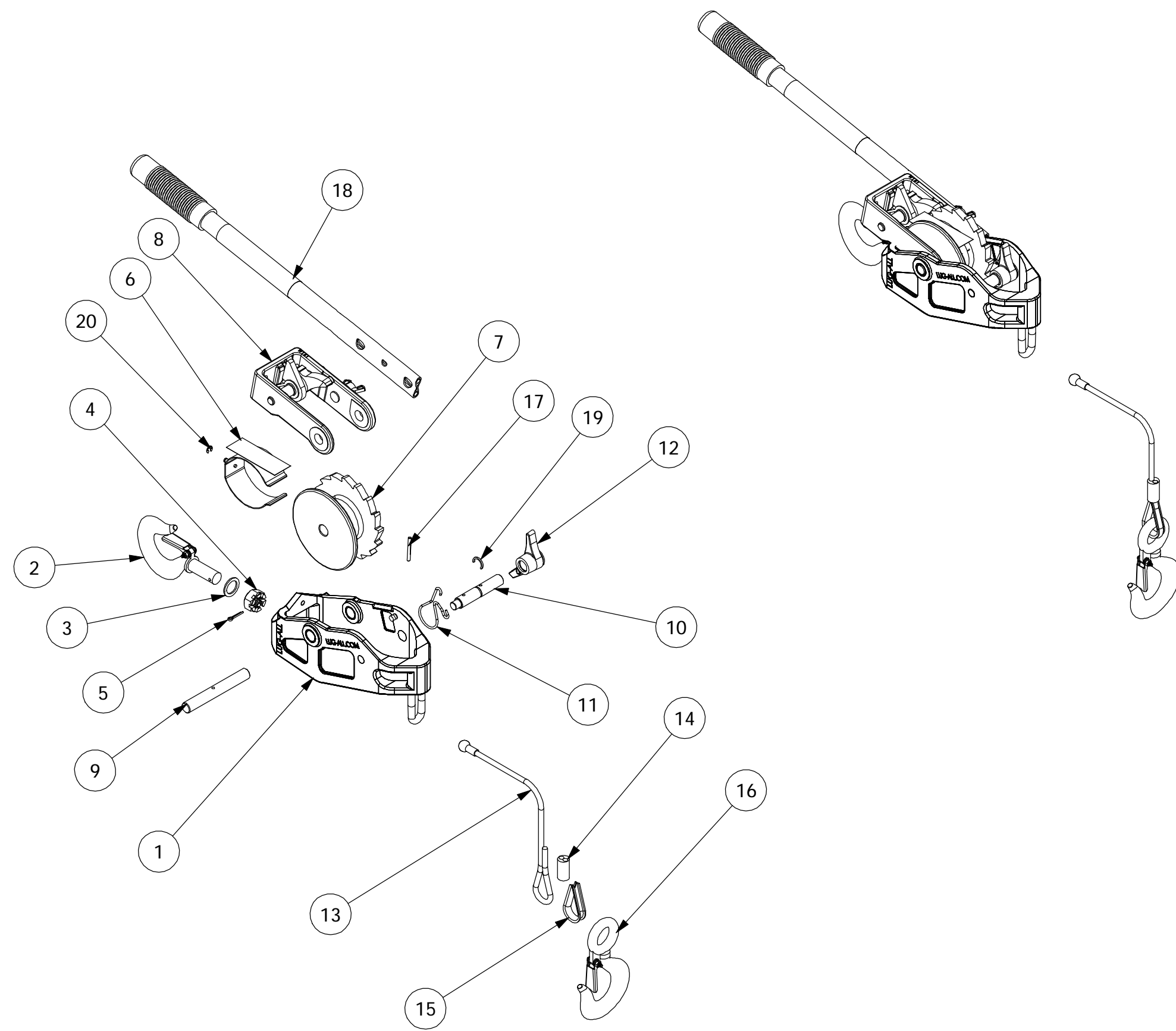


THE INFORMATION CONTAINED IN THIS DRAWING IS THE SOLE PROPERTY OF LUG-ALL CORPORATION. ANY REPRODUCTION IN PART OR AS A WHOLE WITHOUT THE WRITTEN PERMISSION OF LUG-ALL CORPORATION IS PROHIBITED.

D
C
B
A



ITEM	PART NO.	DESCRIPTION
1	160	MAIN FRAME W/BUSHINGS
2	138-BLUE	SHANK HOOK W/ LATCH
3	118	HOOK WASHER
4	122	HOOK NUT
5	406	COTTER PIN
6	115	CABLE SHIELD ASSY.
7	261	DRUM
8	851	U-FRAME ASSY.
9	129	DRUM SHAFT
10	127	MAIN FRAME PAWL SHAFT
11	131	MAIN FRAME PAWL SPRING
12	113	MAIN FRAME PAWL
13	136	CABLE & DRUM ANCHOR
14	125	SLEEVE TYPE CABLE CLAMP
15	139	THIMBLE
16	137-BLUE	EYE TYPE HOOK
17	134	DRUM SHAFT LOCKING PIN
18	262	REVERSIBLE HANDLE
19	111	SNAP SHAFT WASHER
20	162	RETAINING RING

LUG-ALL CORPORATION
650 LINCOLN RD., BRIDSBORO, PA 19508

**SMALL FRAME
 WIRE ROPE
 1000-15
 ASSEMBLY**

SIZE B	DWG. NO. 1000-15	REV. B
CAD FILE: 1000-15	SHEET 1 OF 1	